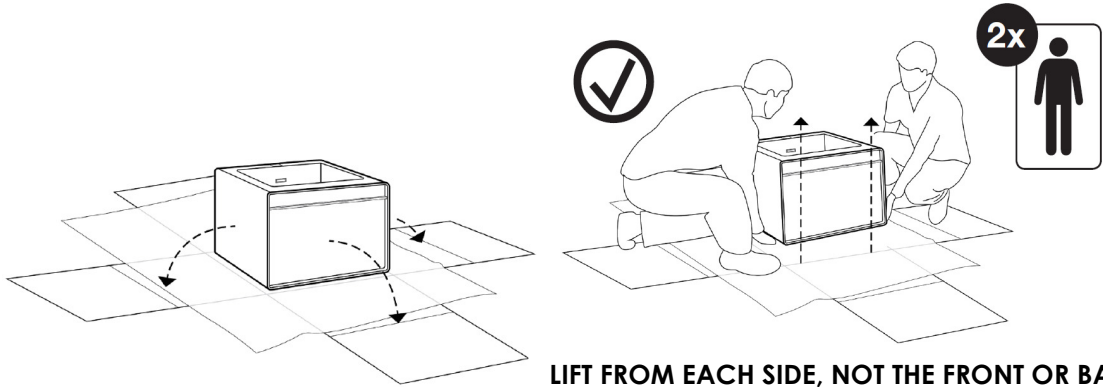
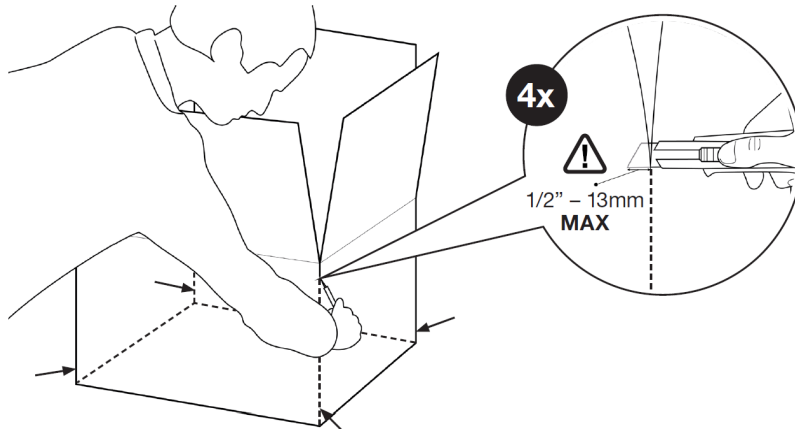
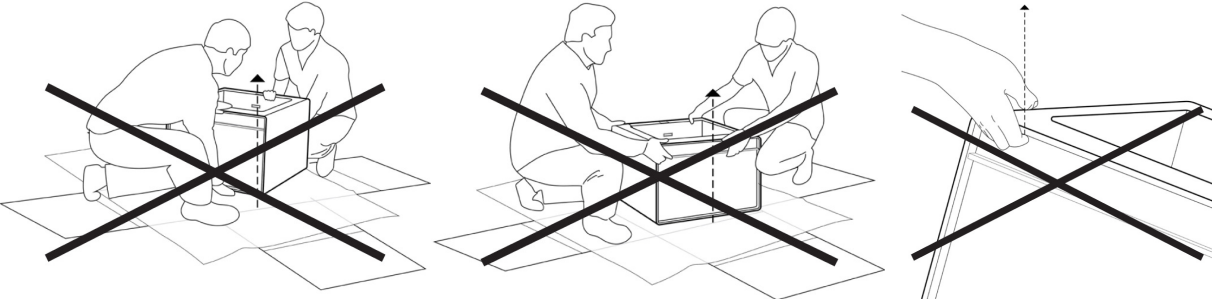




CAUTION – IMPORTANT
TWO PEOPLE ARE NEEDED TO HANDLE AND INSTALL VANITY
DO NOT LIFT VANITY FROM THE TOP. LIFT VANITY FROM THE
BOTTOM ONLY.



! DO NOT LIFT FROM SINK TOP
WILL DAMAGE VANITY





DECO VANITY INSTALLATION GUIDE

S T Y L E

INDEX

Before you begin p.1

Installation

- **Wall preparation** p.4
- **Plumbing** p.5
- **Handling** p.6
- **Wall mounted vanity** p.7
- **Floor mounted vanity** p.8
- **Drawer adjustments** p.11
- **Cleaning guide** p.13
- **Warranty** p.14

BEFORE YOU BEGIN

Thank you for choosing from WETSTYLE's line of quality products.

Please note that prior to shipment from the manufacturing facility, the furniture you have received has passed quality control and was in excellent condition upon leaving the WETSTYLE facility.

We recommend that you carefully inspect the product prior to its installation. If there are any defects, please contact the dealer from whom you purchased the product and please DO NOT install the furniture. WETSTYLE will not be held responsible for any defects or damage discovered once the furniture is installed.

It is highly recommended that a professional undertake the installation of the vanity.

Please read this guide carefully to ensure the proper installation and reliability of your product for many years to come.

For assistance, please call customer service at 1.888.536.9001.

WARNING!

To reduce the risk injury to persons, please read these instructions thoroughly before using this product.

Important Safety Instructions must be kept for future use.

TOOLS AND EQUIPMENT

- Drill and bits
- Measuring tape
- Protective paper
- Pencil
- Level
- Protective eyeglasses
- Wood Screw #10, 3" and 4" long

IMPORTANT

This installation might require custom placement of studs relative to the position of the product in the room. Please read the instructions related to your vanity model carefully.

DECO vanities require special wall preparation prior to installation of the unit.

Wall Preparation

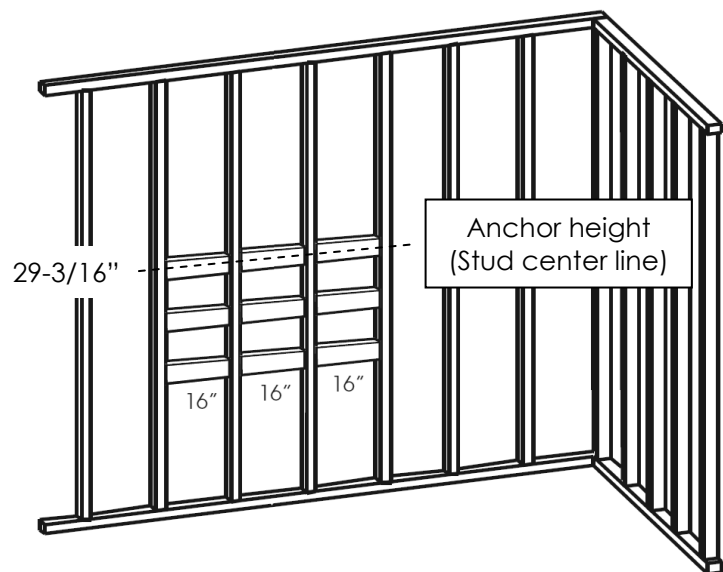
- 1.1 Make sure that walls and floor are straight and level.
- 1.2 Determine overall vanity dimensions.
- 1.3 Determine the desired location of the vanity.
- 1.4 The distance between studs should not be more than 16".
- 1.5 Metal studs should be reinforced vertically by 2" x 4" wooden studs.
- 1.6 Metal and wooden studs should be reinforced horizontally with 2" x 6" wooden studs at anchoring heights:
 - 29-3/16" along the full width of the vanity
- 1.7 Do not apply the product to the wall surface until all braces and mounting clips have been installed and all plumbing has been completed.

Vanity: 34-1/2" from floor (Floor mounted)

Z-clip height: 31-5/16"

Z-clip anchor height: 29-3/16"
(Stud center line)

* See diagram on page 4



VANITY PREPARATION

Prior to installation,

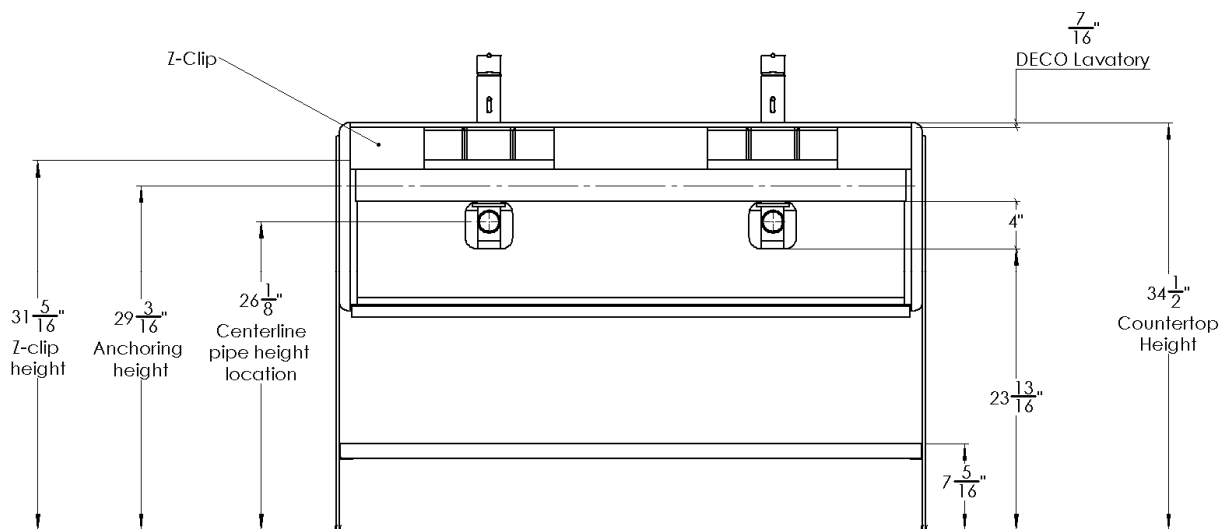
PLUMBING

The pipes should be positioned at an approximate height of 26 1/8" or within the connection area depicted bellow.

IMPORTANT

Please be advised that the DECO COLLECTION was designed to receive WETSTYLE DECO sinks and countertop style sinks as noted in the WETSTYLE price list and catalogue. The manufacturer does not take responsibility for the use of third party sink or countertop in conjunction with the DECO vanity.

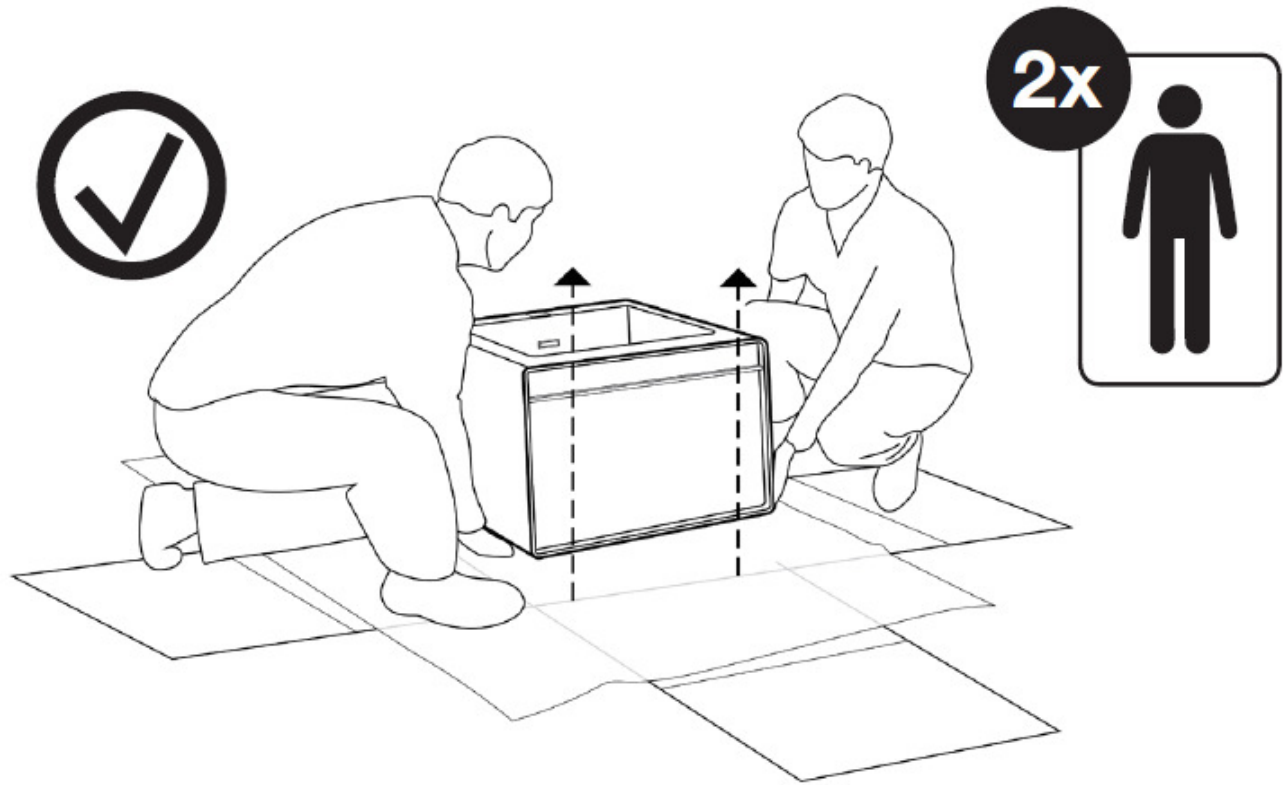
Deco sinks have been factory installed and should not be removed.



Deco Vanity – Back View
(48" Floor-Mount Model Shown)

CAUTION - IMPORTANT

TWO PEOPLE ARE NEEDED TO HANDLE AND INSTALL VANITY
DO NOT LIFT VANITY FROM THE TOP. LIFT VANITY FROM THE BOTTOM ONLY.

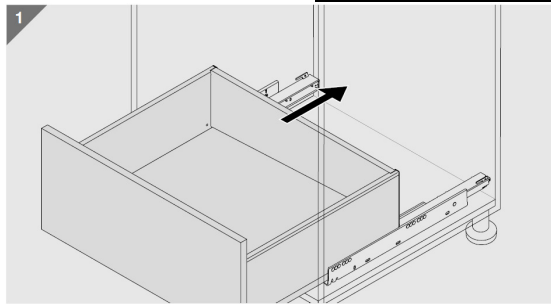


LIFT FROM EACH SIDE, NOT THE FRONT OR BACK

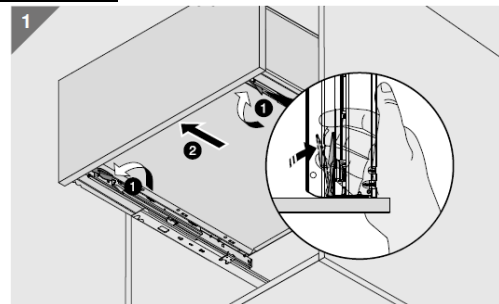
DRAWER REMOVAL

1. Remove Vanity drawers and cover glides with masking tape to protect them from dust.

Drawer Insertion and Removal



Insertion



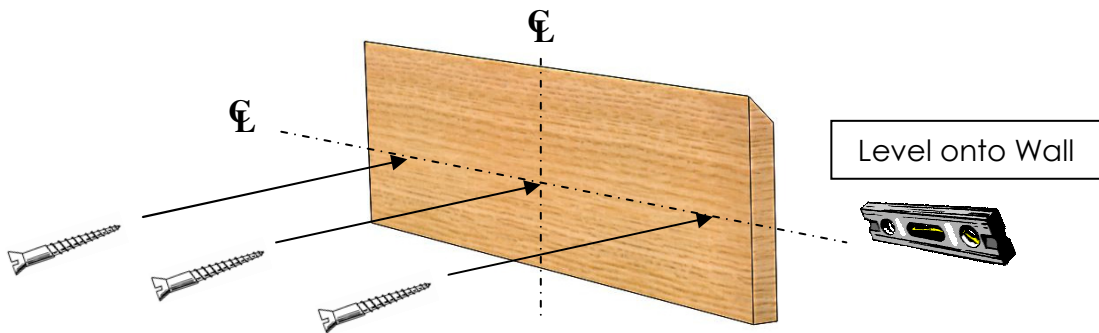
Removal

IMPORTANT

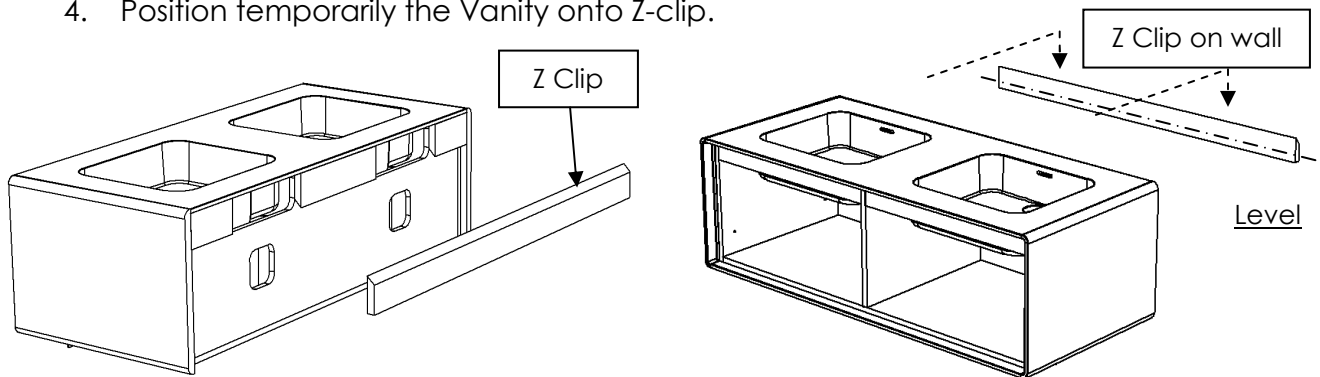
All DECO VANITIES must be securely wall-mounted with the custom Z-clips provided with the furniture.

A – WALL MOUNT (-WM)

1. Remove Z-Clip from back of vanity. Align and level the Z Clip according to horizontally reinforced studs and desired Vanity height.
2. Space Z-clip and screws evenly along width of the Vanity.
3. Install Z-clip to the wall studs at 29-3/16" center line, using evenly spaced 3" long #10 wood screws. Fasten securely.

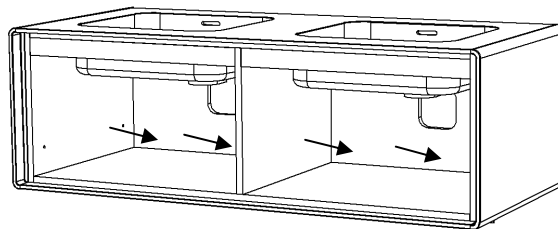


4. Position temporarily the Vanity onto Z-clip.



48" Model Shown

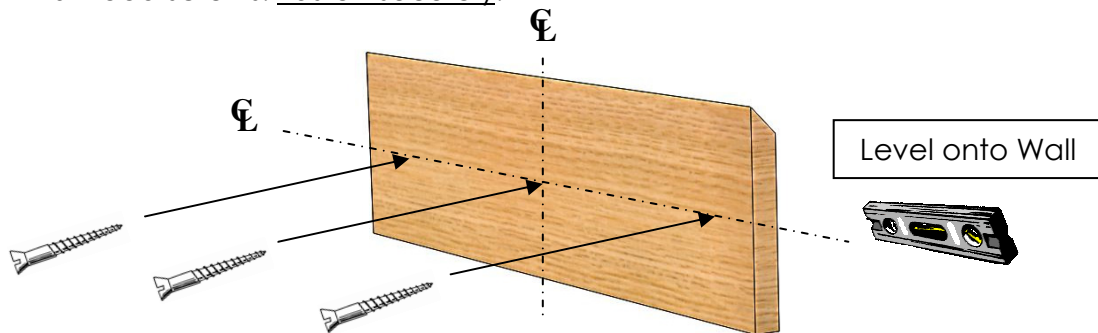
5. In addition to the wooden Z Clip system, the wall-mounted vanity must be attached to the back wall. Pre-drill pilot holes to accommodate 4" long #10 Wood screws. From inside the vanity, screw the unit every 3" to the back wall.



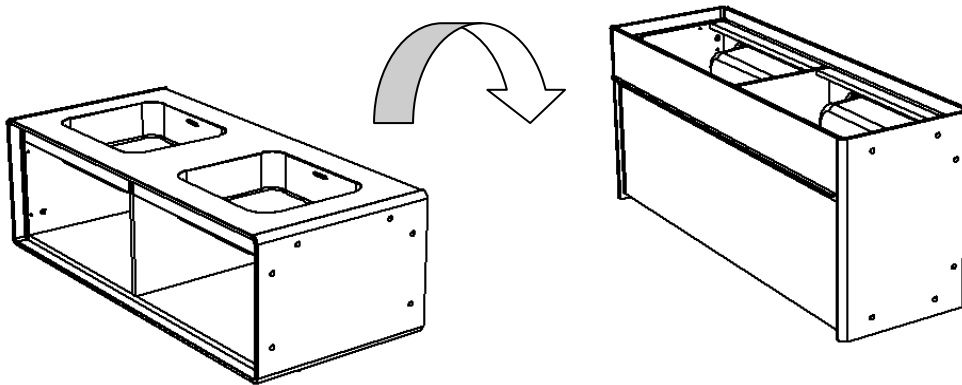
CAUTION: DO NOT LIFT FROM THE TOP. LIFT VANITY FROM THE BOTTOM ONLY.

B – FLOOR MOUNT (-FL)

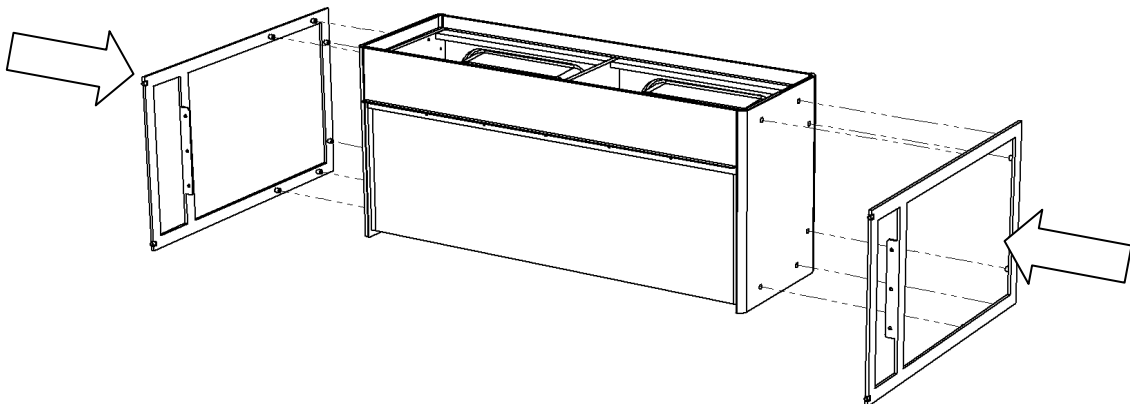
1. Remove Z-Clip from back of vanity. Align and level the Z Clip according to horizontally reinforced studs and desired Vanity height.
2. Space Z-clip and screws evenly along width of the Vanity.
3. Install Z-clip to the wall studs at 29-3/16" center line, using evenly spaced 3" long #10 wood screws. Fasten securely.



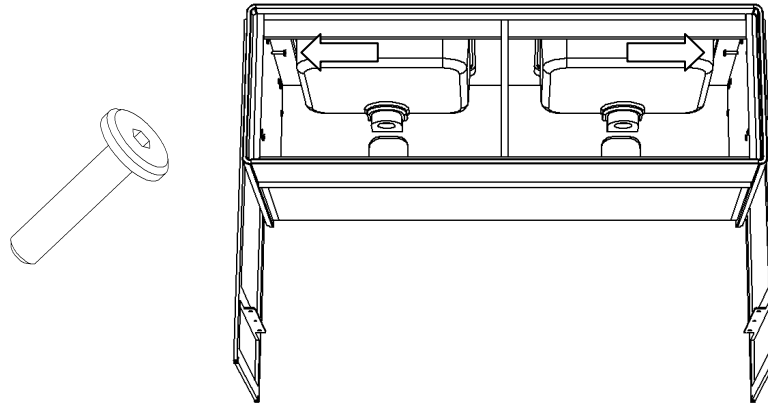
4. Gently turn vanity on its back for Leg assembly.



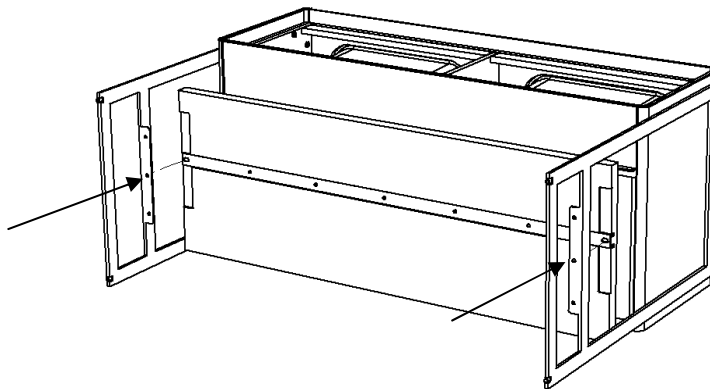
5. Un-package Deco Vanity Legs and align with mounting holes. Handle with caution.



6. Fasten and secure legs tightly from the inside with provided $\frac{1}{4}$ -20 threaded bolts and Allen key.
(Quantity: 6x bolts/leg)



7. Position and install DECO floor mounted shelf. Fix securely with provided bolts.
Note: Shelf to be flush with backside of vanity.

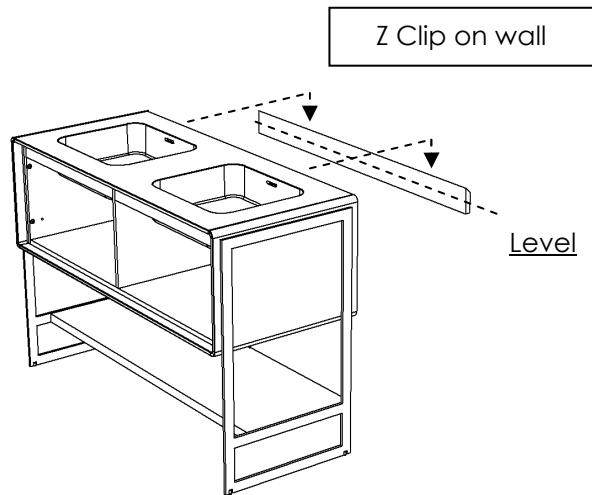


CAUTION: DO NOT LIFT FROM THE TOP. LIFT VANITY FROM THE BOTTOM ONLY.

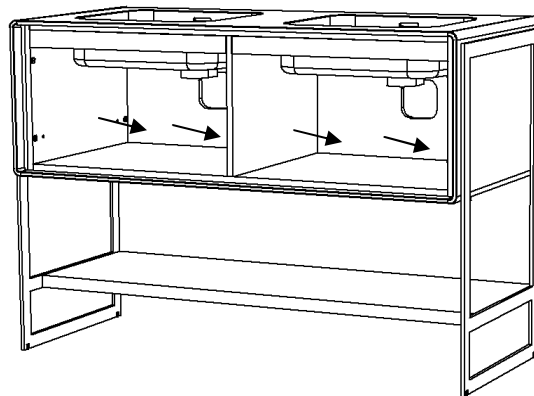
8. Gently turn the vanity onto its feet by handling with care.

CAUTION: DO NOT LIFT FROM THE TOP. LIFT VANITY FROM THE BOTTOM ONLY.

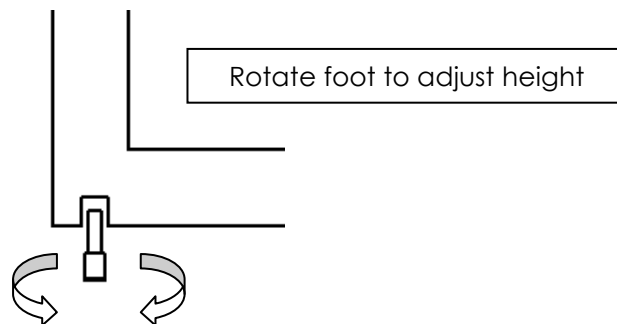
9. Position temporarily the Vanity onto Z-clip.



10. Secure the floor mounted vanity to the back wall. Pre-drill pilot holes to accommodate 4" long #10 Wood screws. From inside the vanity, screw the unit every 3" to the back wall.

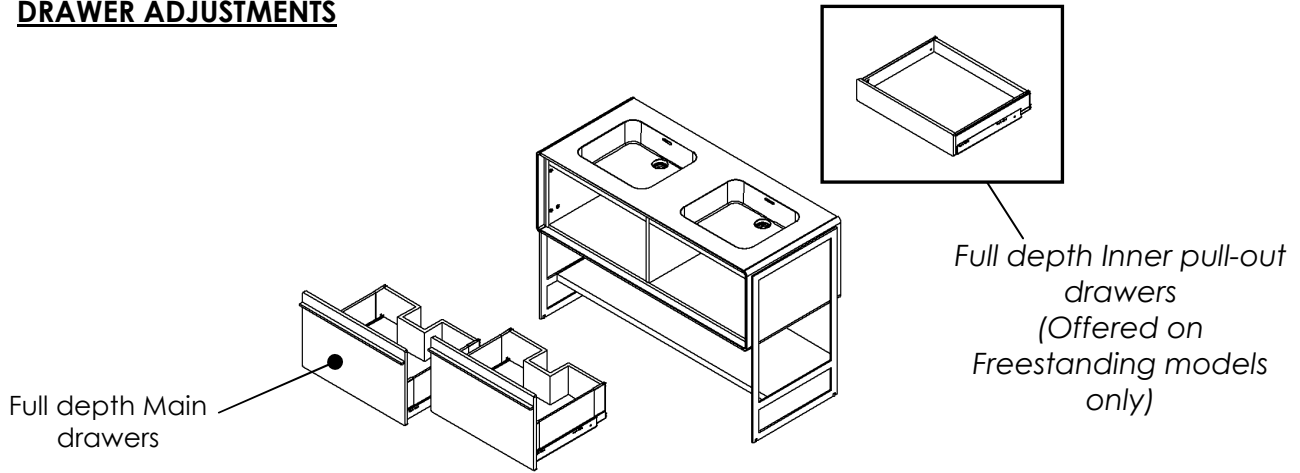


11. Adjust levellers.



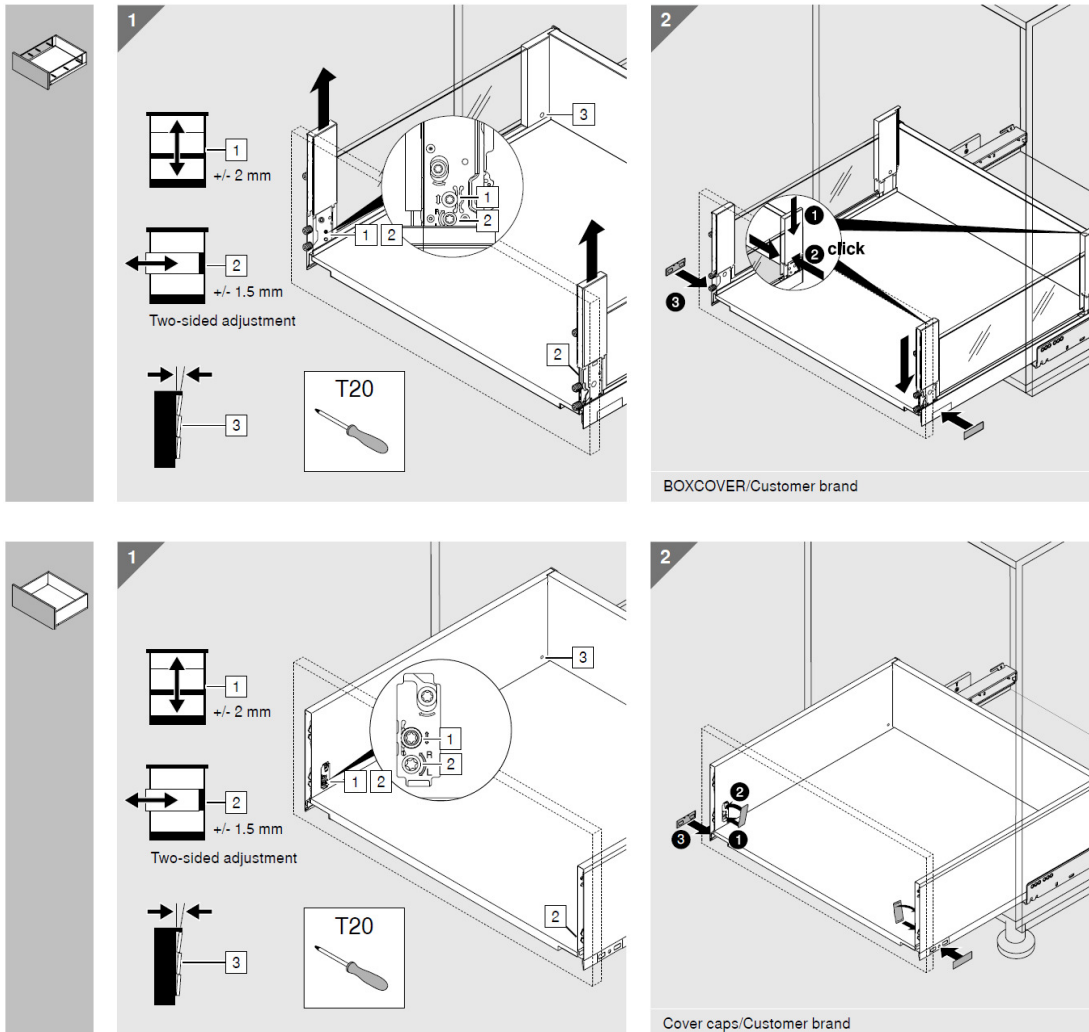
12. Install drawers. (See drawer insertion on page.6)

DRAWER ADJUSTMENTS



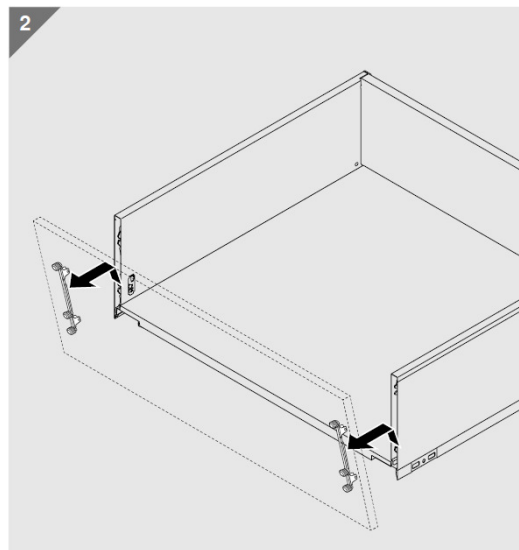
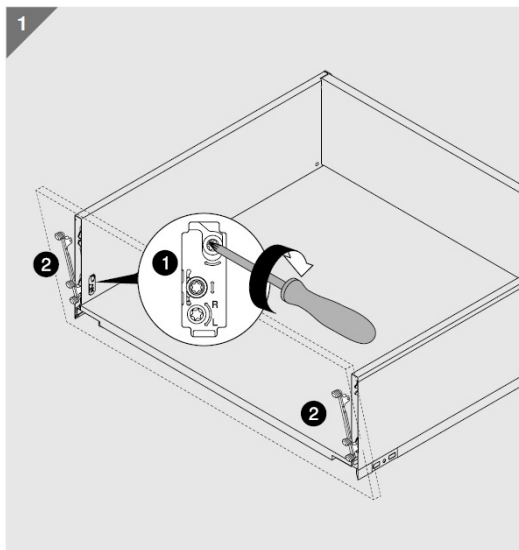
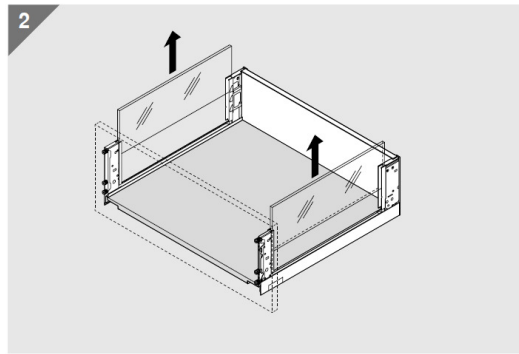
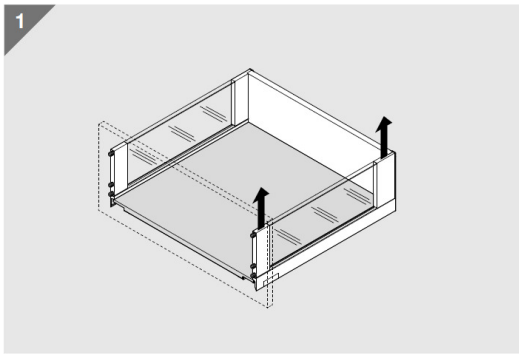
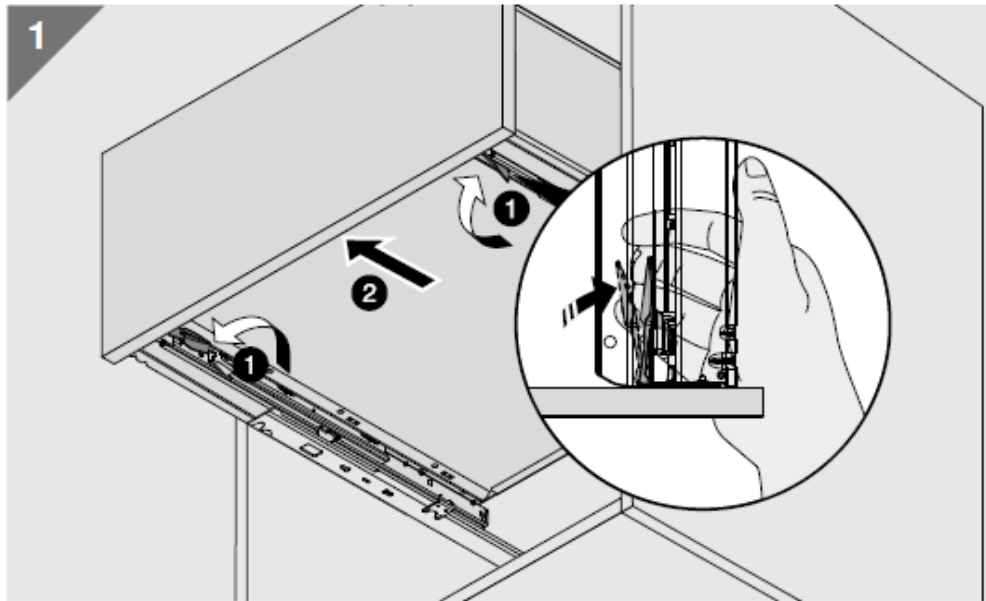
48" Floor-mounted version shown

Drawer façade adjustments



- DECO VANITY INSTALL GUIDE -
(2018-05-07)

Drawer façade removal



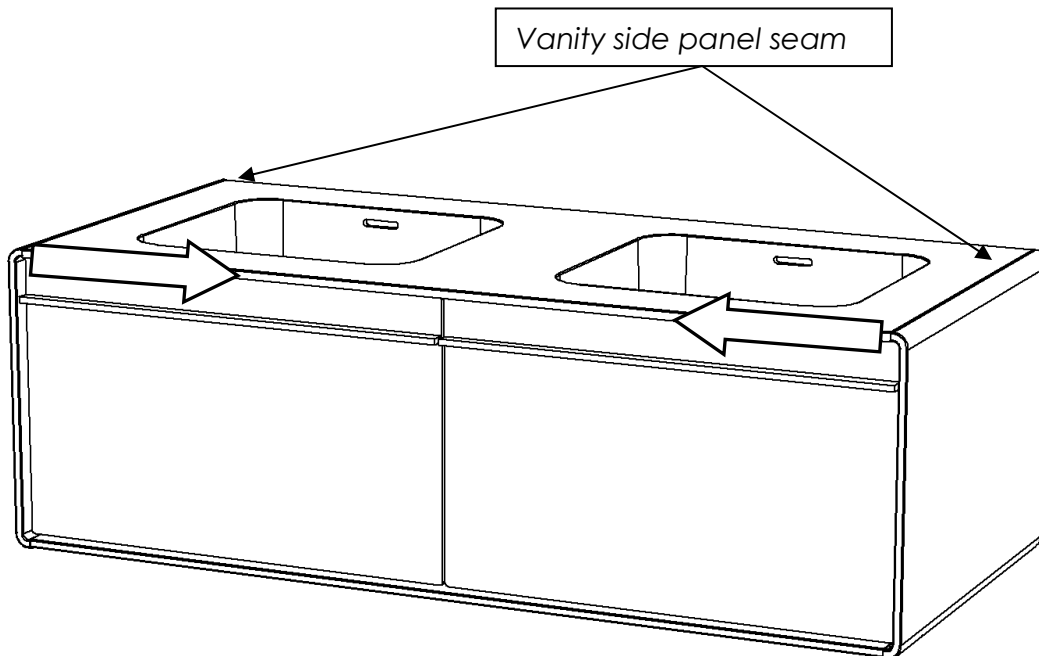
CLEANING GUIDE

WETSTYLE «DECO» FURNITURE is made from oak or walnut.

WETSTYLE Furniture is ultra-easy to clean: after each use, simply wipe with a soft cloth to remove any surface dirt or excess water.

CAUTION:

Vanity side panel seams must remain dry.
Wipe away any excess water from vanity side panel seams sweeping towards lavatory basin.



For standard cleaning, we recommend using warm water with mild soap. Do not use abrasive products or cream cleaners. Never use petroleum-based products when cleaning the wood, i.e. paint thinners or other solvents, as they may damage the wood surface. Glass surfaces may be cleaned using standard glass cleaning products.

WARRANTY

The warranty on WETSTYLE products covers all defects in materials and manufacturing for a period of one year from the date on which the owner originally purchased the product directly from WETSTYLE or from an authorized retailer. This warranty is valid for the original owner only. This warranty does not apply to cases in which a product was incorrectly installed, or to damage due to negligence, misuse, cigarettes, flames, natural disasters or other accidents.

WETSTYLE is not responsible for any fees or recovery charges that may have been generated by the purchase of a product that is not adequate for an existing building structure.

At the discretion of the manufacturer, the guarantee is limited to the repair or replacement (of a product of equal or greater value) at the condition that the claim is made during the guarantee period to an authorized dealer or directly to WETSTYLE. The handling fees and all other charges related to the product replacement are not covered by the guarantee.

Printed in Canada



www.WETSTYLE.CA – Montreal – Canada
Tel. 450.536.9000 – 1.888.536.9001 – Fax. 450.536.0202