



Freestanding

BOV04-59

OVE COLLECTION

Design WETSTYLE Design Lab



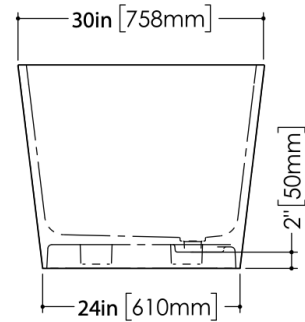
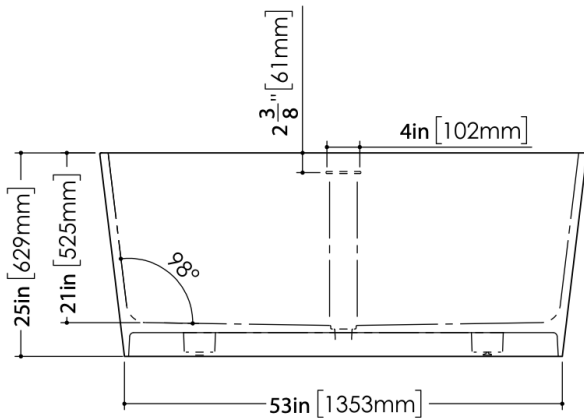
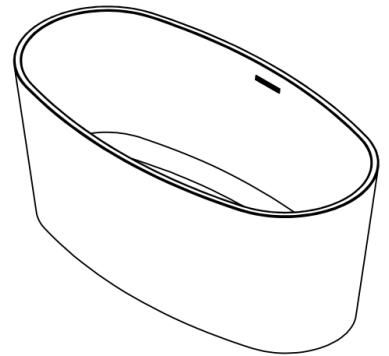
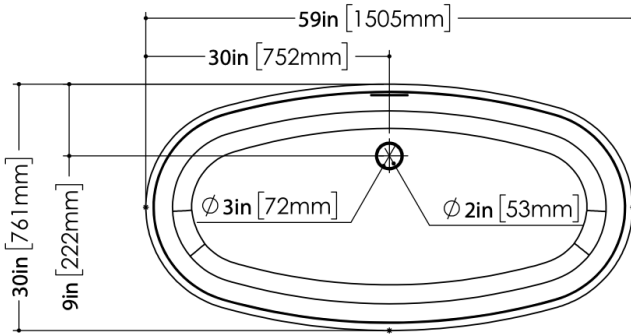
FEATURES

- Handcrafted in Montreal, Canada
- Integrated overflow
- Offset center pop-up drain
- Plug & Bathe drain connection for quick install

TECHNICAL DETAILS

- **Width:** 59.25"
- **Length:** 30"
- **Height:** 24.75"
- **Weight:** 201 lbs / 91 kg

BOV 04-59
59-1/4" x 30" x 24-3/4"



WETSTYLE cannot be held responsible for any technical errors and reserves the right to make revisions without notice. Approximate measurement. The manufacturer accepts 1/4" (6.35mm) variance.

OPTIONS

Model

- BOV04 - Freestanding

Drain Overflow Trim Finish

- Brushed Nickel Drain - No Trim Overflow (#BNNT)
- Brushed Nickel Drain and Overflow (#BN)
- Matte Black Drain - No Trim Overflow (#MBNT)
- Matte Black Drain and Overflow (#MB)
- Matte Black Drain and Polished Chrome Overflow (#MBPC)
- Polished Chrome Drain - No Trim Overflow (#PCNT)
- Polished Chrome Drain and Overflow (#PC)
- Satin Brass Drain - No Trim Overflow (#SBNT)
- Satin Brass Drain and Overflow (#SB)
- White Drain - No Trim Overflow (#WHNT)
- White Drain and Polished Chrome Overflow (#WHPC)

WETMAR BiO Finish

- Black Matte (#MBL)
- Stone Harbour Grey Matte (#MGR)
- White Dual (#DA)
- White Matte (#MA)
- White True High Gloss (#GA)

Plumbing Connection

- Copper/Brass Connection - local code dependant (#COP)
- Standard ABS Connection