



Freestanding

BMD 01

MOOD COLLECTION

Design Pierre Bélanger and WETSTYLE Design Lab

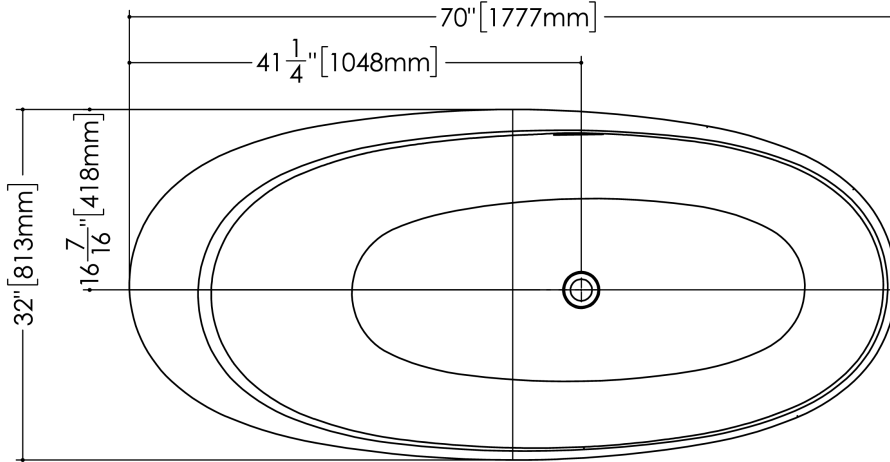


FEATURES

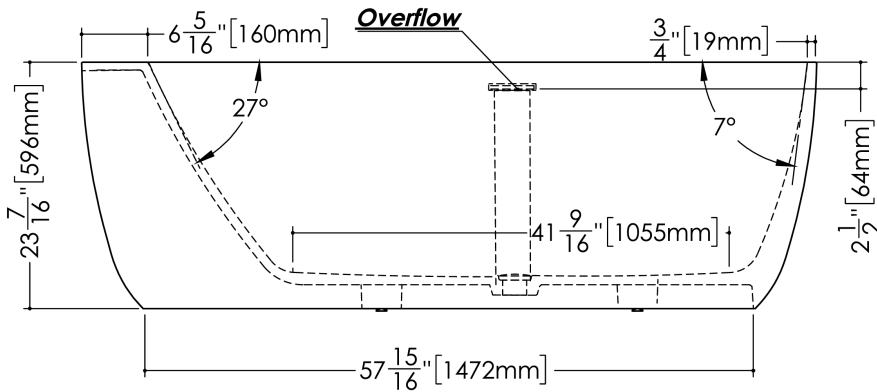
- Handcrafted in Montreal, Canada
- Two back rest inclines: seated and reclined
- Integrated overflow
- Soft toe touch drain
- Plug & Bathe drain connection for quick install

TECHNICAL DETAILS

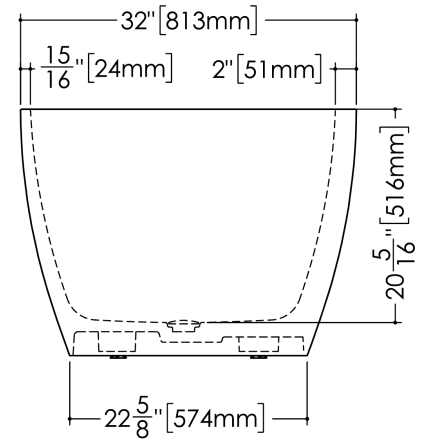
- **Width:** 32"
- **Length:** 70"
- **Height:** 23.5"
- **Weight:** 311 lbs / 141 kg



plan view






front view



side view

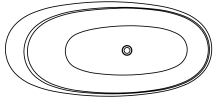
WETSTYLE Plug & Bathe™ overflow and drain connection system includes:

-  Soft-touch pop-up drain, for built-in overflow. Fits both 1-1/2" ABS drain waste and 1-1/2" tubular brass
-  1-1/2" ABS Direct vertical drain waste fitting (copper/brass option also available)
-  1-1/2" ABS 90° Elbow drain waste fitting (copper/brass option also available)

BMD01

WETSTYLE cannot be held responsible for any technical errors and reserves the right to make revisions without notice. Approximate measurement. The manufacturer accepts 1/4" (6.35mm) variance.

AVAILABLE CONFIGURATIONS



Freestanding

OPTIONS

Model

- BMD01 - Freestanding

Drain Overflow Trim Finish

- Brushed Nickel Drain - No Trim Overflow (#BNNT)
- Brushed Nickel Drain and Overflow (#BN)
- Matte Black Drain - No Trim Overflow (#MBNT)
- Matte Black Drain and Overflow (#MB)
- Matte Black Drain and Polished Chrome Overflow (#MBPC)
- Polished Chrome Drain - No Trim Overflow (#PCNT)
- Polished Chrome Drain and Overflow (#PC)
- Satin Brass Drain - No Trim Overflow (#SBNT)
- Satin Brass Drain and Overflow (#SB)
- White Drain - No Trim Overflow (#WHNT)
- White Drain and Polished Chrome Overflow (#WHPC)

WETMAR BiO Finish

- Black Matte (#MBL)
- Stone Harbour Grey Matte (#MGR)
- White Dual (#DA)
- White Matte (#MA)
- White True High Gloss (#GA)

Plumbing Connection

- Copper/Brass Connection - local code dependant (#COP)
- Standard ABS Connection

FAUCET AREA RECOMMENDED

Wall-mounted or floor-mounted (deck-mounted is not possible)