

**Shower Bases**

# DFL 4836C

FEEL COLLECTION

**Design** WETSTYLE Design Lab

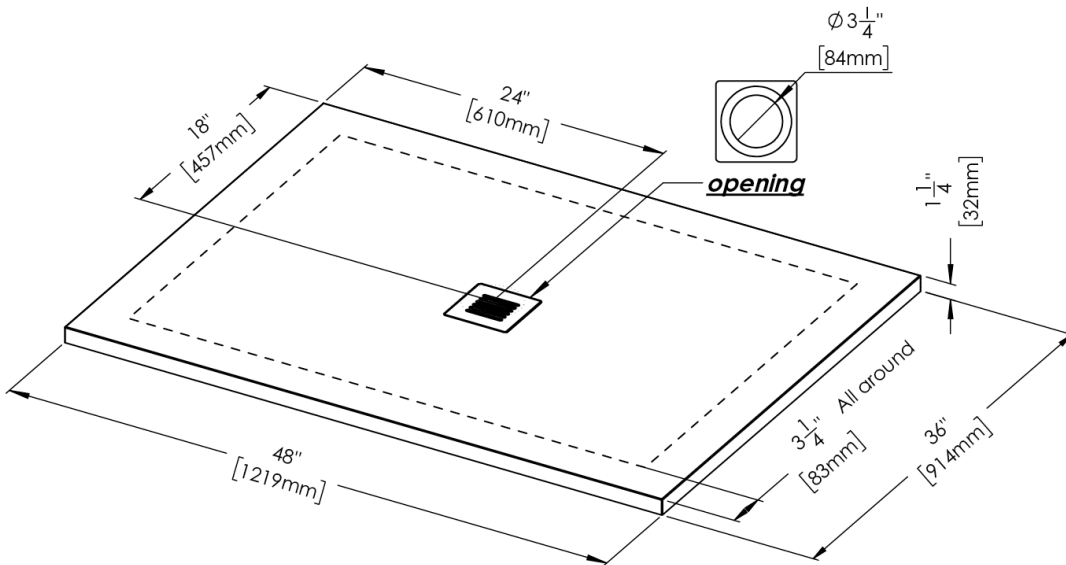


## FEATURES

- Made of a high density stone composite
- Drain cover supplied in matching texture and color
- Anti-slip: the texture provides high anti-slip properties to the shower base
- Easy maintenance: antibacterial treatment certified by ISO-NPG-H (high avoidance of hydrolysis) prevents corrosion of the material
- Mass coloration; the material bears the same color throughout
- Installation: above floor or recessed (flush with floor)
- Cut-to-size: can be cut to fit odd-size bathrooms or to, for example, to fit around a corner beam
- One piece for reduced risk of water leaks: no seams, no joints, no grout
- No floor waterproof membrane, no hot mopping, no slope construction required
- Deck wide enough to support glass walls or rolling/swinging doors

## TECHNICAL DETAILS

- **Width:** 36"
- **Length:** 48"
- **Height:** 1.25"
- **Weight:** 117 lbs / 53 kg



**DFL4836C**

WETSTYLE cannot be held responsible for any technical errors and reserves the right to make revisions without notice. Approximate measurement. The manufacturer accepts 1/4" (6.35mm) variance.

## OPTIONS

### Model

- DFL 4836C

### Texture

- Slate Black (#BS)
- Slate White (#AS)

## NOTES

**Included in each box:** 1) Tile flanges - to be installed on site (refer to installation guide for more information), 2) Drain cover in matching color and texture

**Not included:** Drain; any regular shower drain for 3¼ inches opening will fit

**Optional cuts:** For an additional charge, simple straight cuts can be done at the factory. Custom cuts (angles, corners, etc.) must be done on site by installer. For factory-made cuts, you must fill out and submit "[Optional cut order form](#)" with your order